

Applications

- Animatronics
- R.P.V.s / U.A.V.s
- Special effects
- Remote motion
- Robotics

Features

- Aluminum case
- Heavy duty gears
- Stainless steel shaft
- Water resistant
- Hobby type R/C input

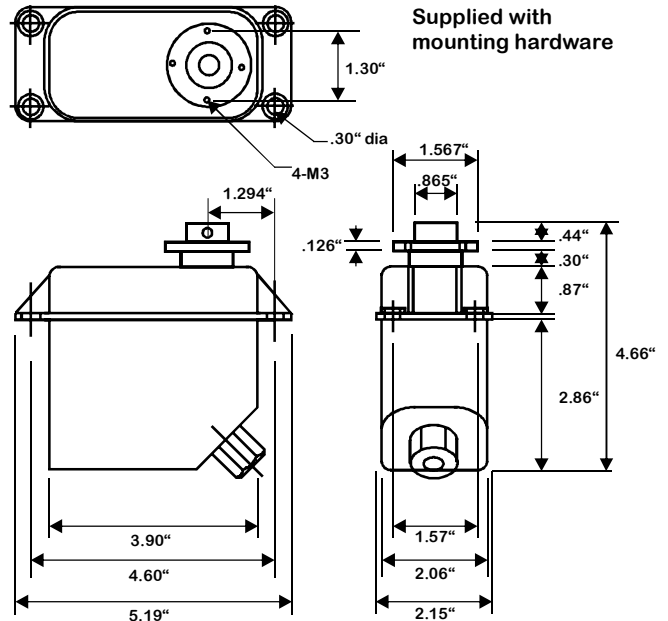
General

A precision electro-mechanical servo for radio control applications with requirements exceeding those of recreational hobby servos. The "muscle" servo for RPV, UAV projects, industrial and special effects robotics.

Ruggedly designed and built for hostile environments and performance-critical applications.

Specifications

Voltage	12 ±2 vdc @ 9 A peak .035A idle 26 ±2 vdc @ 5 A peak .030A idle
Travel	Std. ±45° (Optional ±90°; ±180°)
Signal Input	Standard R/C PCM 5V 12ma.
Pulse Width	1.51ms Center, 10-20ms period Rated Travel at ±400µsec. Maximum Travel Limit at ±800µsec.
Linearity	± 1% @ full deflection
Deadband	5 µsec.
Speed (no load)	Std. Speed 0.95 sec/60° High Speed 0.48 sec/60° (Option)
Starting Torque	31 ft/lb, 6110 oz/in
Holding Torque	1000 oz/in intermittent
Safe Duty Cycle	50% @ 500 oz/in., @ 25°C
Durability(MTBF)	350,000 cycles
Cable "Main"	1 Meter Long, includes Power & Signal
Signal Cable	Includes an in-line Opto Signal Buffer.
Signal Plug	Plugs into your R/C receiver. Brn. = Gnd.; Red = +5; Org. = Signal
Housing	Aluminum
Weight	27.5 oz
Operating temp.	-10°C to + 80°C



Ordering Options

DC Voltage: 12V or 24V
 Travel: ±45° or ±90° or ±180°
 Speed: Standard or High Speed

Suggested fuses
 12vdc use 7 amp
 26vdc use 4 amp

9.2 Watt Motors

Note: With **High Speed** option, double the speed and reduce the torque by 1/2. For more information please read our Servo Precautions Booklet.

- Cycle life of servo will vary depending on operating conditions.
- Tolerances are ± 5%
- Specification may change without notice.
- Not intended for medical use.