



Craig Kackert
**Design
 Tech., Inc.**
 805-522-3750 USA

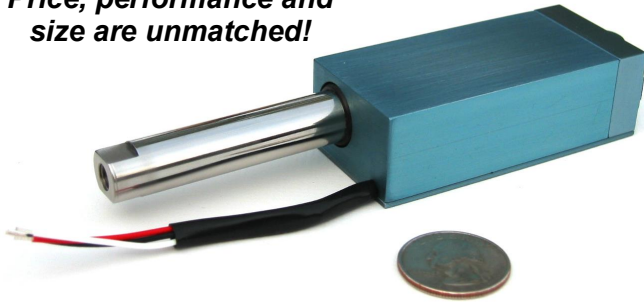
MINI LINEAR ACTUATOR

L13-SERIES 1.75" STROKE

With Limit Switches
 Up to 150 lb Force

Designed for Aerospace applications the 1206-50 Series has been tested under FAA-STC#SR00180SE

Price, performance and size are unmatched!



Applications

R.O.V.s, U.A.V.s., R.P.V.s.
 Industrial Motion
 Special Effects
 Aerospace/FAA
 Robotics / A.I.
 Animatronics

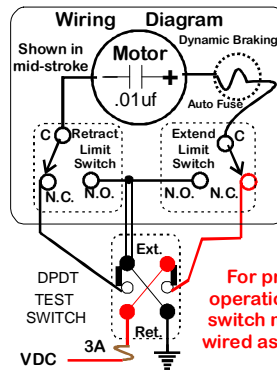
Features

Long Life Motors
 Wide Voltage Range
 Planetary Gear Head
 Dual Ball Bearings
 Long Life Switches
 Wide Temp. Ranges

This Professional Linear Actuator has the power in a rugged miniature precision package unlike any others. Designed for robotics and aerospace applications this precision actuators is built with the best components available. A Custom Core-less DC motor with planetary gear-head using dynamic braking, Mil.Spec. Limit Switches gives it an estimated 1mil. cycle life. The lead screw, drive gears, rod, dual bearings, and hardware are all Stainless Steel. It may be operated from 12 to 28 Volts DC. Other Loads, Speeds and Temp Ranges are available for production runs.

Each actuator is fully factory tested and load cycled. Certs are available upon request.

| L13 Series General Specifications | |
|-----------------------------------|---------------------------|
| Voltage Range/Amps | 12-28VDC @.86A max. |
| Test Voltage | 26VDC |
| 30 lb Load Spec. | .260 Amps @ .27"/Sec. |
| Rated Load | 30 lb or Request |
| Duty Cycle | Intermittent |
| Stall Load | 150 lbf |
| Static Load | 200 lbf |
| Body-Dimensions | 3.0"x 1.37"x 0.935" |
| Weight | 7.0 oz |
| Strokes are Factory Set | From .625" to 1.75" |
| End Play | 0.002" Typ. .006" Max. |
| Custom DC Motor | Coreless Neodymium Magnet |
| Motor Max Con't Curr't | .300 Amps |
| Motor Protection | Poly Fuse RXE 040 |
| Case | 6061-T6 Anodize Finish |
| Linear Rod | 303 Stainless Steel |
| Drive | Custom Acme |
| Limit Switches | 10M Cyscs Mil 8805/109 |
| Temp. Range | -20° to 65° C |
| Extended Temp Range | -55° to +85°C or Custom |
| Environmental Motor Test | Base DIN EN 60068.2.30 |

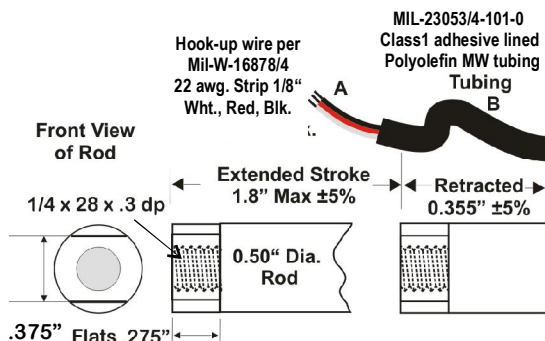
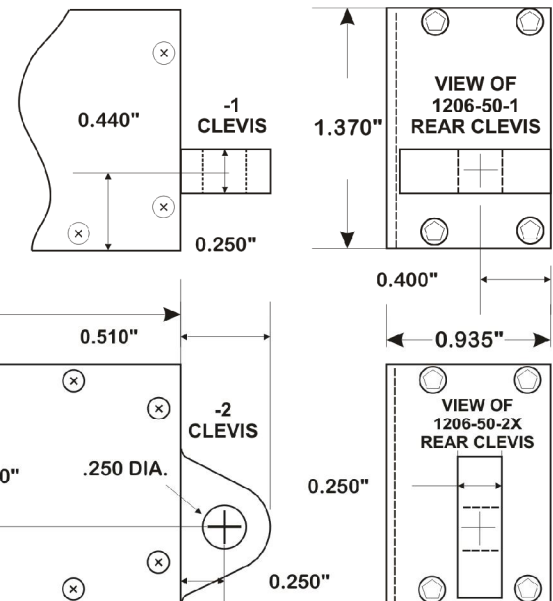


| Std. Models | Cable | Dims. | Stroke |
|--------------|-------|-------|---------|
| P/N | A | B | Set at: |
| 1206-50-1 | 36" | 6" | 0.625" |
| 1206-50-2 | 3.5" | 2.5" | 1.000" |
| 1206-50-2A | 48" | 45" | 1.550" |
| 1206-50-2C | 48" | 45" | 1.000" |
| L1312-30-1.8 | 12" | 10" | 1.750" |

For proper operation, test switch must be wired as shown.

Choice of 2 types of rear clevis.

Custom Options are available.



Cycle life of actuator will vary depending on operating conditions. Tolerances are + 5%.